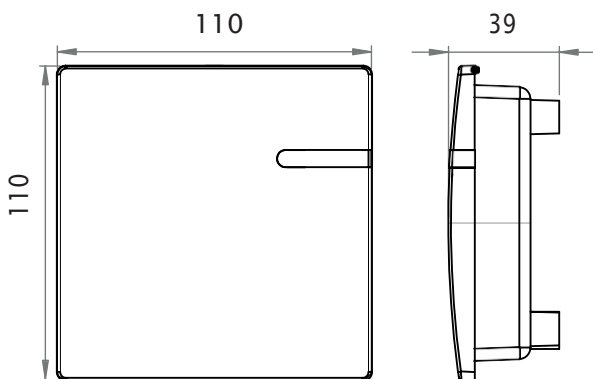


## SPECIFICATIONS

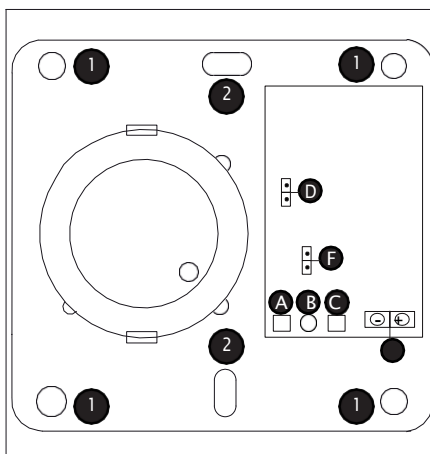
Model	ACA20
Environmental class	II Indoor
<b>Electrical</b>	
Operating voltage	10-28V DC
Stand-by current	<10mA
Audio output power	1W (min. 8ohm with speaker)
Harmonic distortion	<%2 (1W)
Recording time	20 second
Indicator	Power LED indicator
Fabrication recording	Available
Fabrication announcement	Emergency exit is here
Fabrication recording switch	Supports
Ready voice recording	Available
Mute Function	Supports
Speaker amplifier protection	Available
Voice input	Available
<b>General</b>	
Housing material	ABS Plastic
Housing shape	Standard
External cover color	White / Yellow
Operating Temperature	-10OC~+45OC
Dimension (HxWxD)	110x110x39mm
Weight	155g
Mounting Type	Celing & Wall

## PHYSICAL



## CONNECTION

## Electrical Connections



- 1 Cable Input Holes
- 2 Mounting Ports
- A Speaker
- B Microphone
- C AUX
- D REC
- E Supply
- F MIC

## OPERATION

Recorded voice is announced when the power is on. Power LED and RED LED Blinks.

## Voice recording with built-in Microphone

■ Energize the device. To activate microphone input, jumper should be attached to the MIC on the board.

■ To record a voice, Jumper should be attached to REC. After attaching the jumper recording begins and red LED lights until the recording ends.

■ When the red LED go off, recording is completed. Jumper on the REC is removed. Device announces voice that is recorded.

## Voice recording from AUX input

■ Energize the device. To activate AUX input, MIC jumper should be removed.

■ AUX cable is attached to the board and the other line should be connected to the audio supply in order to system to be ready.

■ To record voice message, REC jumper should be attached. With attaching the jumper recording begins and red LED lights until the recording ends.

■ When the red LED go off, recording is completed. Jumper on the REC is removed. Device announces voice that is recorded.

## Deleting voice recording

■ Energize the device. Jumper (short-circuit component) should be attached to the REC. In this case, voice recording will be deleted.

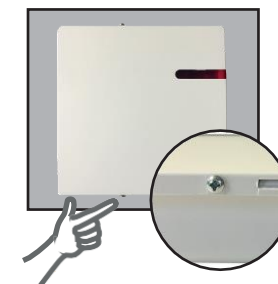
**Note:** Before supplying energy to the device please be sure that REC jumper is not attached to the device. Otherwise, fabrication voice recording will be deleted.

## MOUNTING

■ From the mounting port (2) assemble the device. Use 4 units of M4+52 metal screw and M8 dubel (plastic screw holder in-wall).

■ Close the cover.

■ Fix the sounder from bottom with two screws.



*Delton*

1141 Budapest, Fogarasi út 77. 1095 Budapest, Mester u. 34.  
 Tel.: \*220-7940, 220-7814, 220-7959. Tel.: \*218-5542, 215-9771, 215-7550,  
 220-8881, 364-3428 Fax: 220-7940 216-7017, 216-7018 Fax: 218-5542  
 Mobil: 30 531-5454, 30 939-9989 Mobil: 30 940-1970, 30 959-0930

[www.delton.hu](http://www.delton.hu)

E-mail: [info@delton.hu](mailto:info@delton.hu) Web: [www.delton.hu](http://www.delton.hu)